

REVISION	MODIFICATION	DATE	DRAWN	CHECKED	APPROVED
B	CT WIRING UPDATE	03/10/2019	DB		
A	FIRST RELEASE	19/05/2019	DB		



Website: [www.cretechnology.com](http://www.cretechnology.com)  
 Email: [info@cretechnology.com](mailto:info@cretechnology.com)  
 Support: [support@cretechnology.com](mailto:support@cretechnology.com)  
 Skype: [support-cretechnology.com](https://www.skype.com/contact)

DRAWN: DB

CHECKED: MM

DATE: 17/03/2022

## CRE TECHNOLOGY

130, allée Charles-Victor Naudin  
 Zone des templiers Sophia-Antipolis - 06410 Biot - France

Phone: +33 (0) 4 92 38 86 82 Fax: +33 (0) 4 92 38 86 83

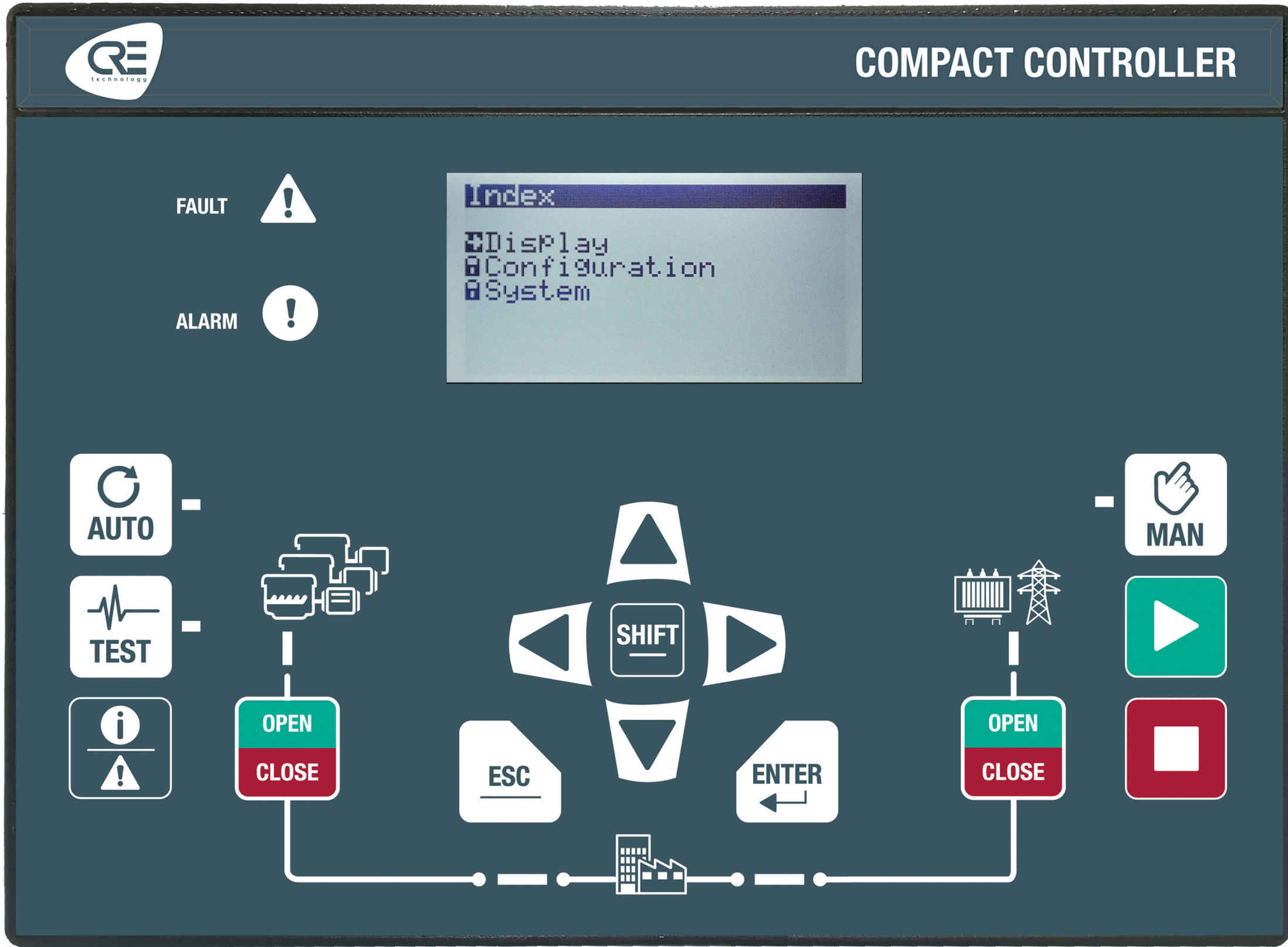
## STANDARD WIRING SCHEMATICS

## MASTER COMPACT HMI / CORE

DRAWING N°: A56-MAST-00 / 10 - DWG - 001

01/18





Created: 17/03/2022

Drawing n°: A56-MAST-00 / 10 - DWG - 001

Drawn: DB

REVISION	DATE	MODIFICATION	DRAWN
B	03/10/2019	CT WIRING UPDATE	DB
A	19/05/2019	FIRST RELEASE	DB

MASTER COMPACT HMI / CORE  
STANDARD WIRING SCHEMATICS

Module Front view



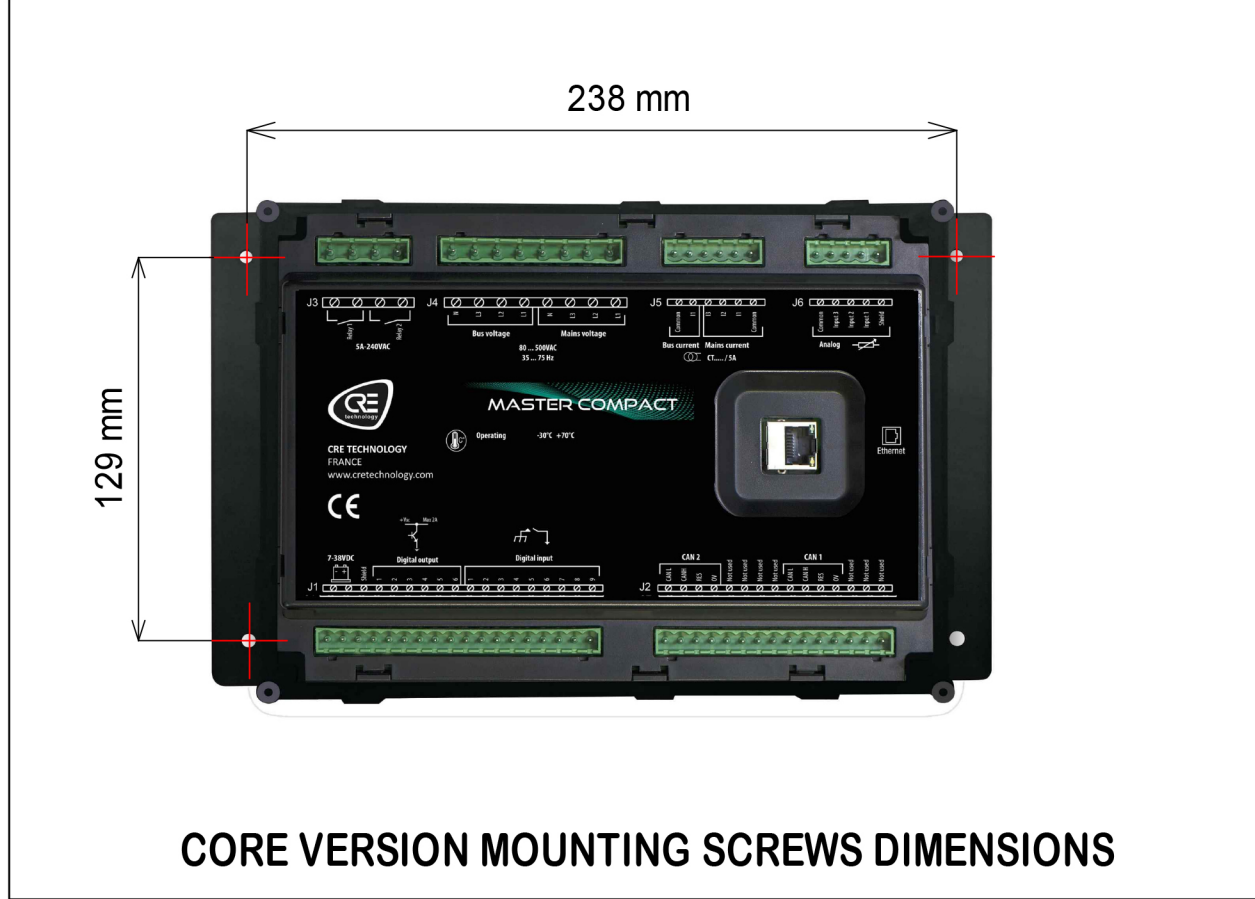
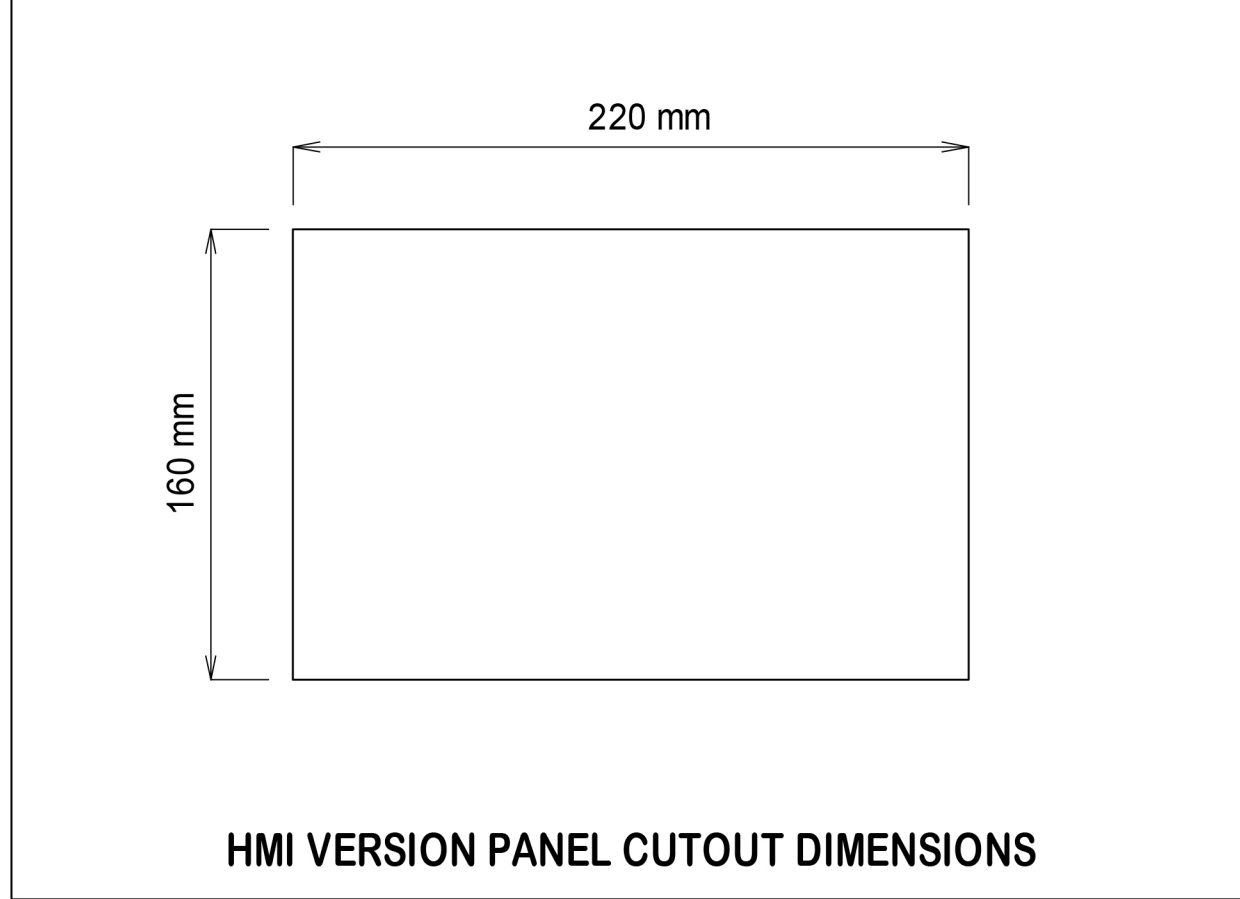
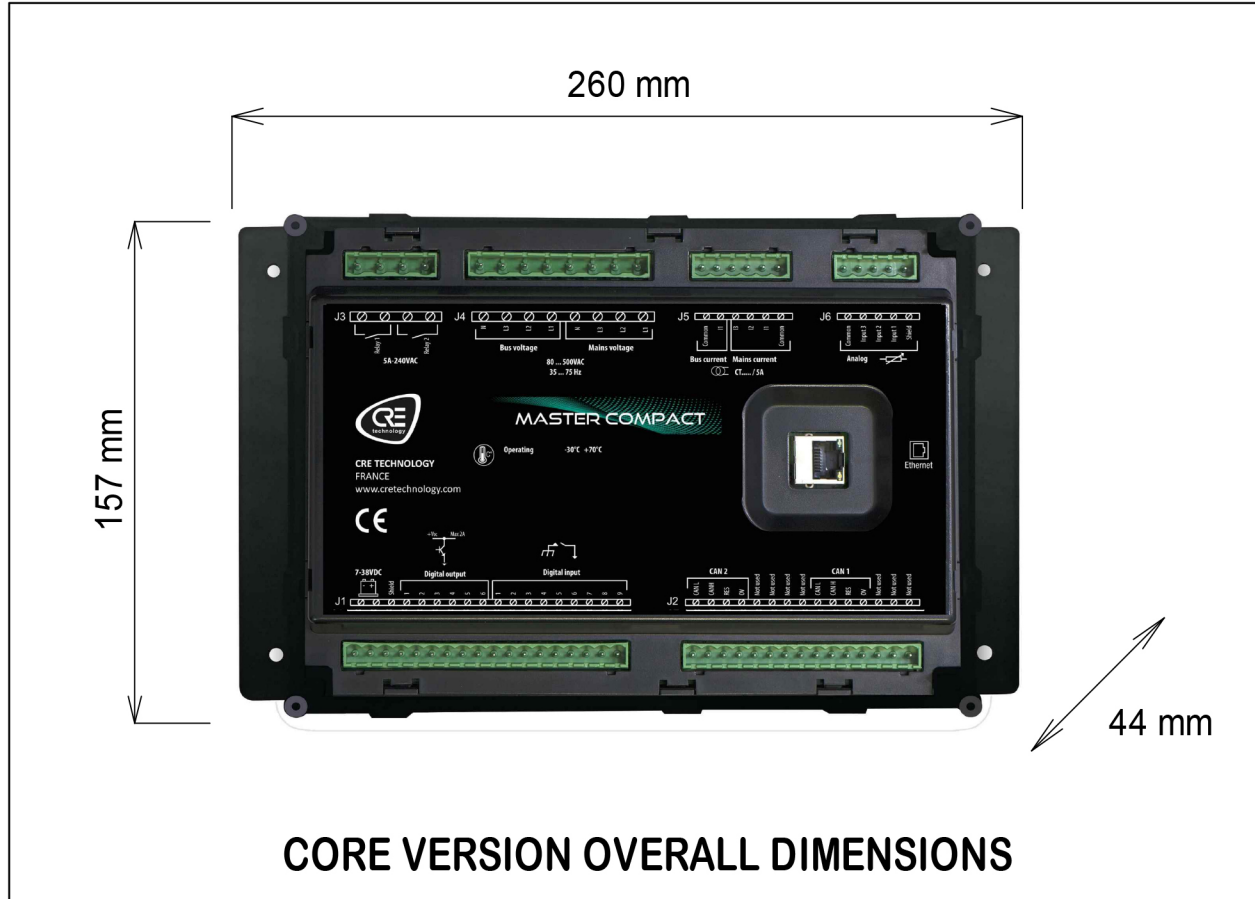
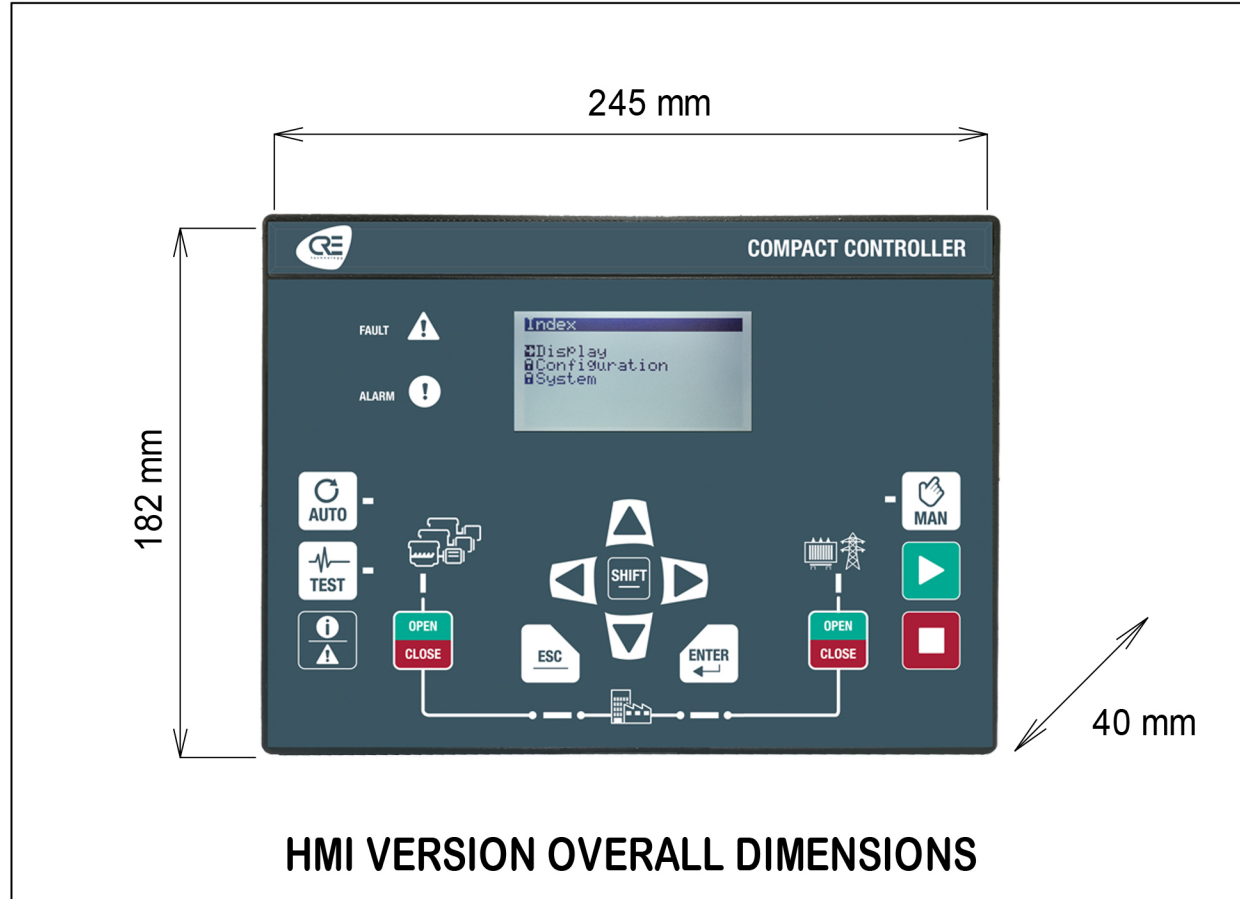


Created: 17/03/2022			
Drawing n°: A56-MAST-00 / 10 - DWG - 001			
Drawn: DB			
REVISION	DATE	MODIFICATION	DRAWN
B	03/10/2019	CT WIRING UPDATE	DB
A	19/05/2019	FIRST RELEASE	DB

MASTER COMPACT HMI / CORE  
STANDARD WIRING SCHEMATICS

Module Rear / Core view

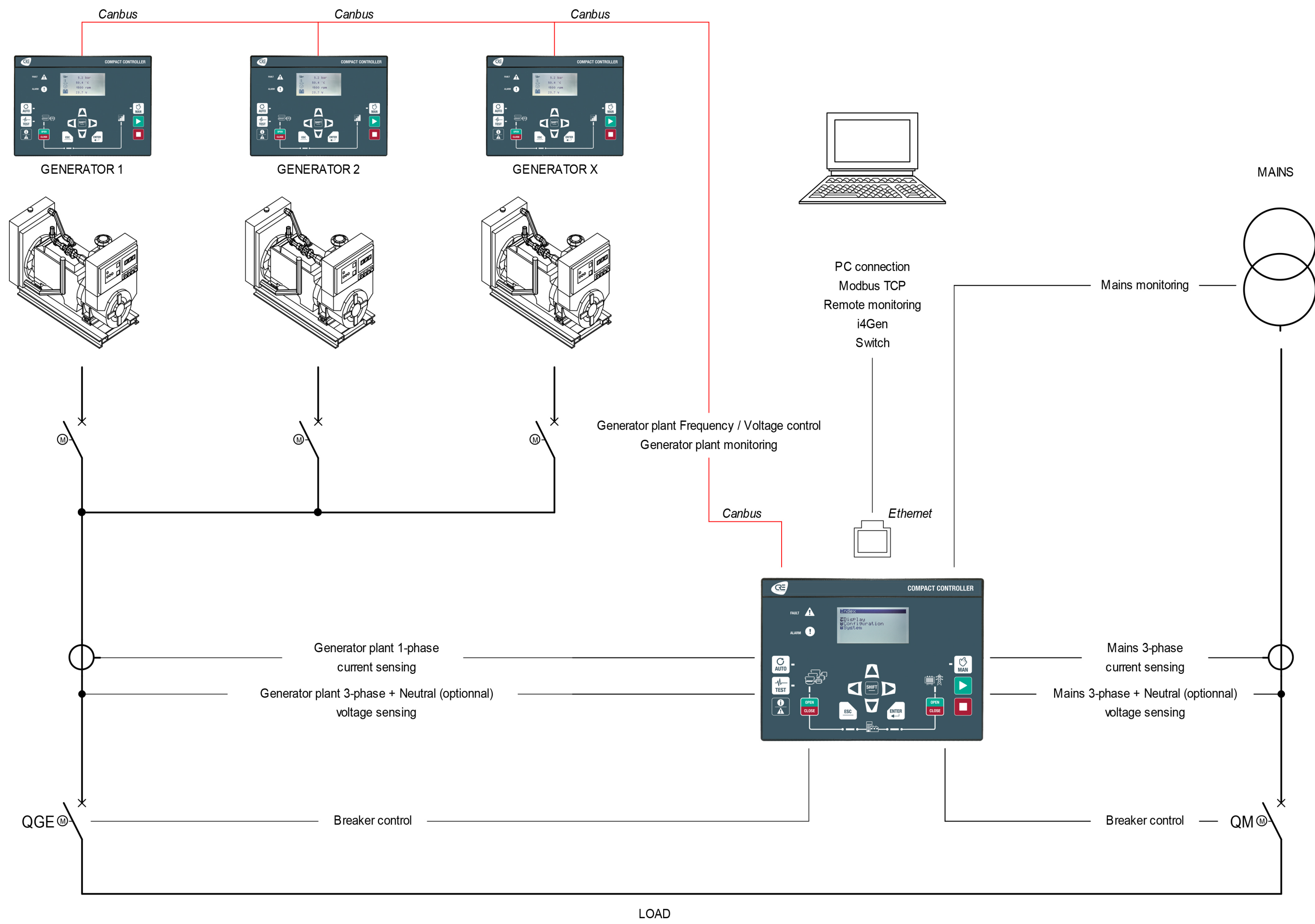




Created: 17/03/2022				
Drawing n°: A56-MAST-00 / 10 - DWG - 001				
Drawn: DB				
REVISION	DATE	MODIFICATION	DRAWN	
B	03/10/2019	CT WIRING UPDATE	DB	
A	19/05/2019	FIRST RELEASE	DB	

**MASTER COMPACT HMI / CORE  
STANDARD WIRING SCHEMATICS**

**Dimensions / Panel cut**



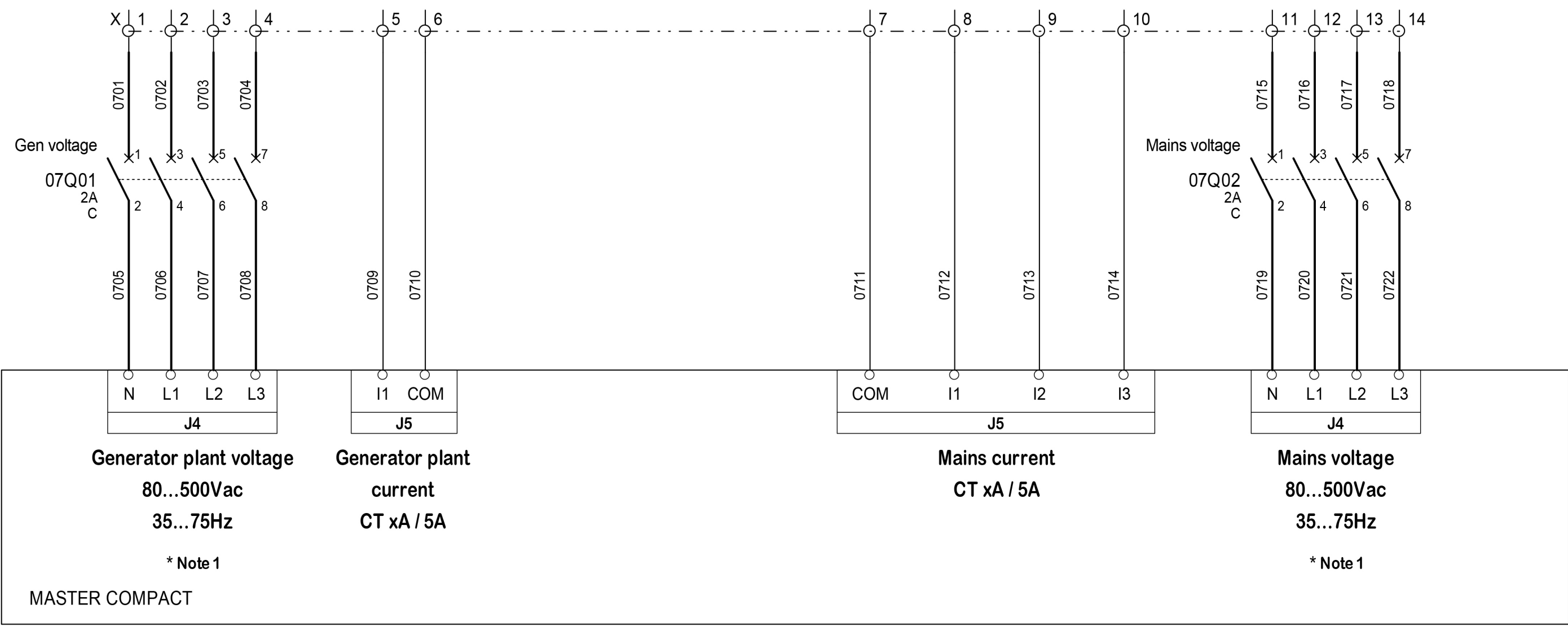
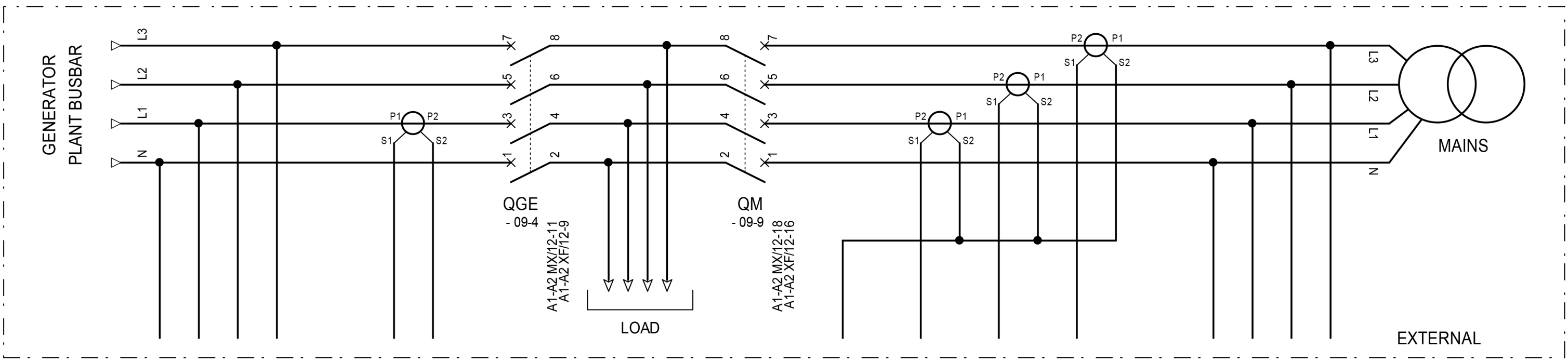
Created: 17/03/2022  
 Drawing n°: A56-MAST-00 / 10 - DWG - 001  
 Drawn: DB

REVISION	DATE	MODIFICATION	DRAWN
B	03/10/2019	CT WIRING UPDATE	DB
A	19/05/2019	FIRST RELEASE	DB

**MASTER COMPACT HMI / CORE  
 STANDARD WIRING SCHEMATICS**

**Single line diagram**





\* Note1: Shall voltage transformers be required, refer to technical documentation

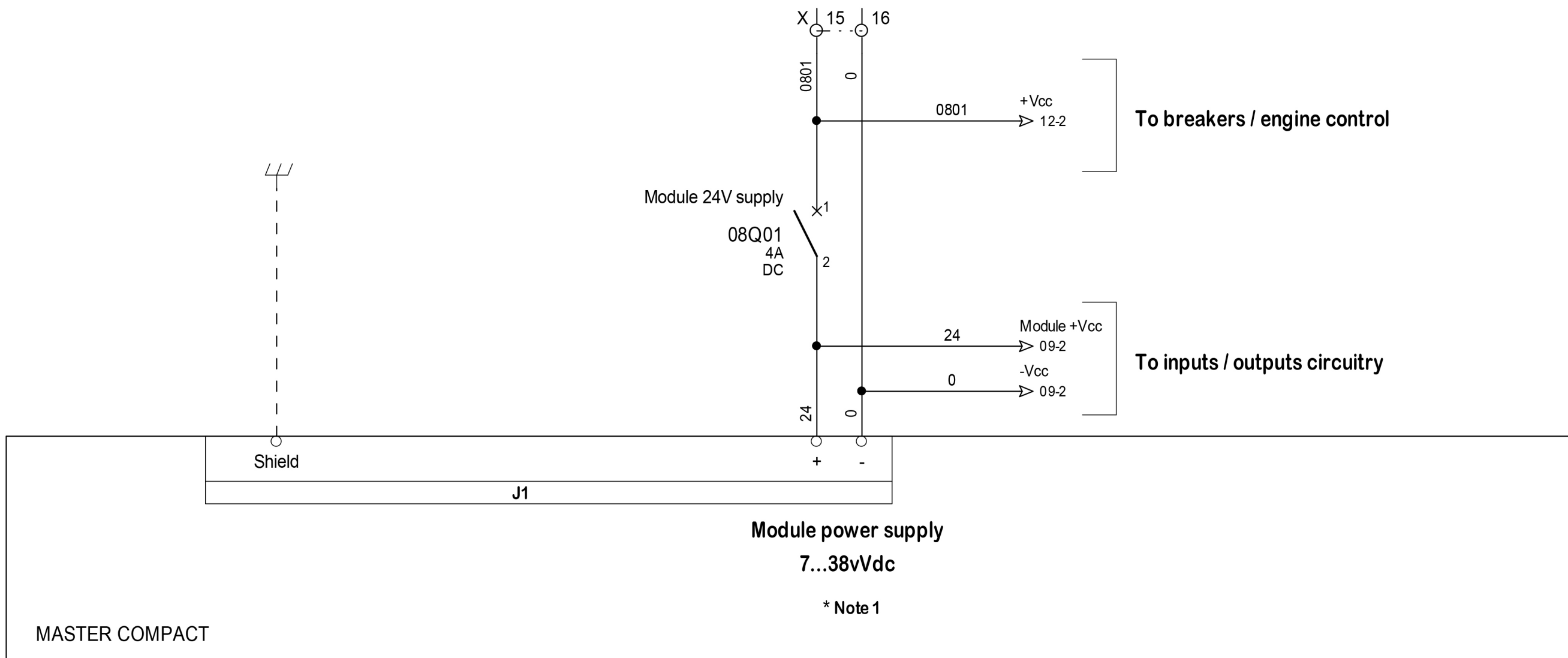
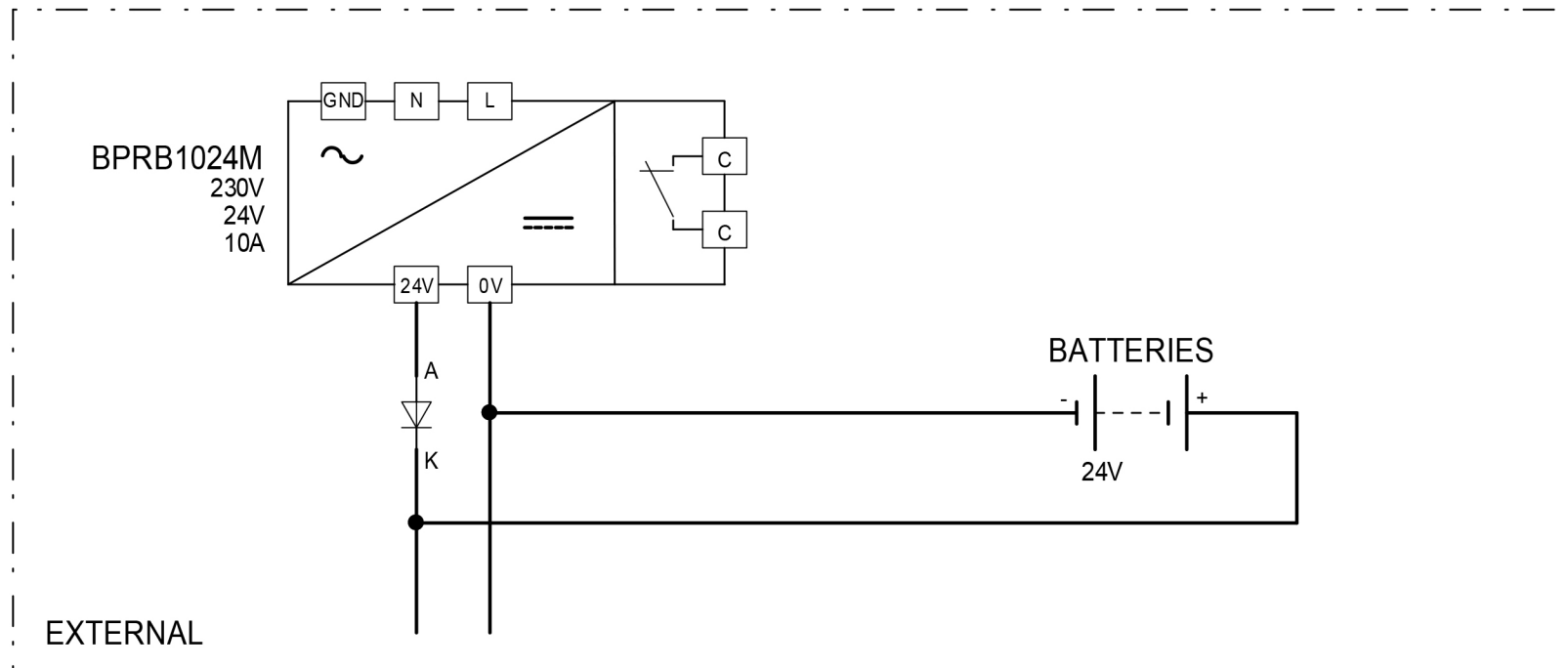


Created: 17/03/2022  
 Drawing n°: A56-MAST-00 / 10 - DWG - 001  
 Drawn: DB

REVISION	DATE	MODIFICATION	DRAWN
B	03/10/2019	CT WIRING UPDATE	DB
A	19/05/2019	FIRST RELEASE	DB

MASTER COMPACT HMI / CORE  
 STANDARD WIRING SCHEMATICS

Voltages and currents sensing



\* Note1: Example given with use of a 24Vdc battery charger , but applies identically with 12Vdc

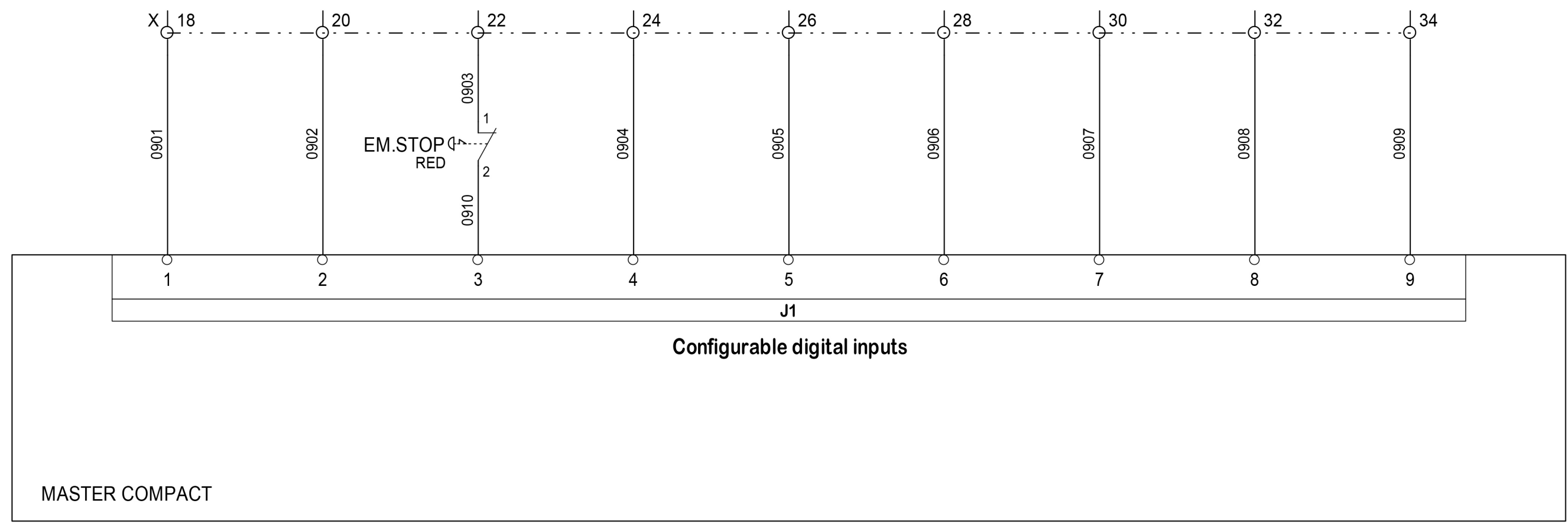
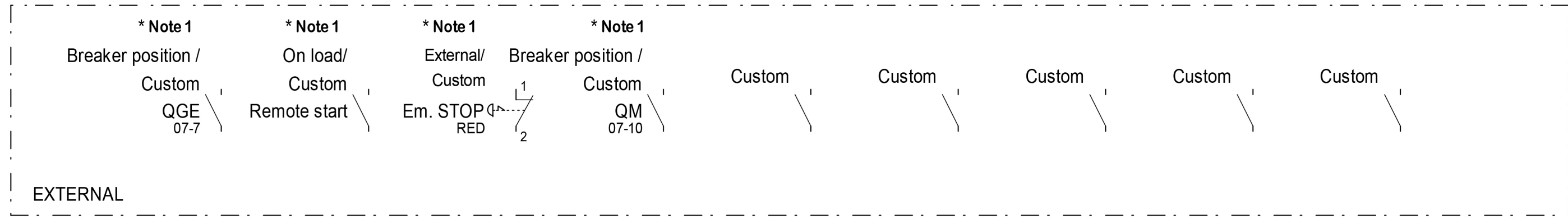
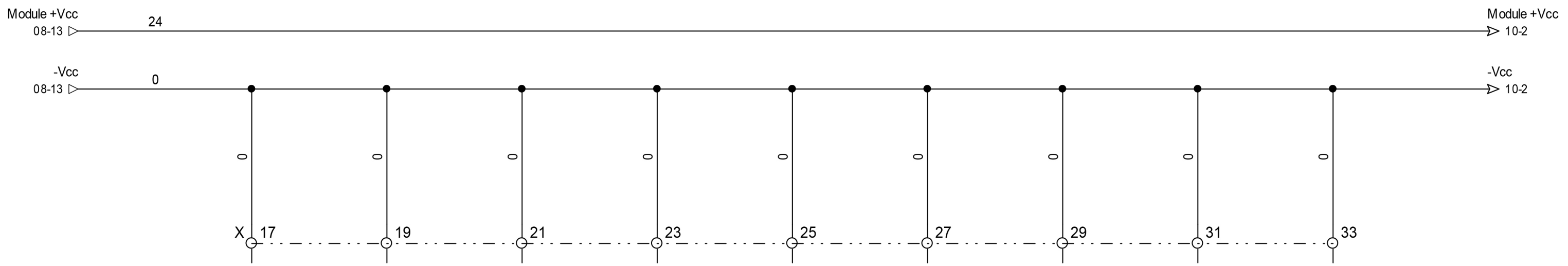


Created: 17/03/2022				
Drawing n°: A56-MAST-00 / 10 - DWG - 001	B	03/10/2019	CT WIRING UPDATE	DB
Drawn: DB	A	19/05/2019	FIRST RELEASE	DB
	REVISION	DATE	MODIFICATION	DRAWN

MASTER COMPACT HMI / CORE  
STANDARD WIRING SCHEMATICS

Power supply and shield connection





\* Note 1: Default setting, can be adjusted via PC software as desired

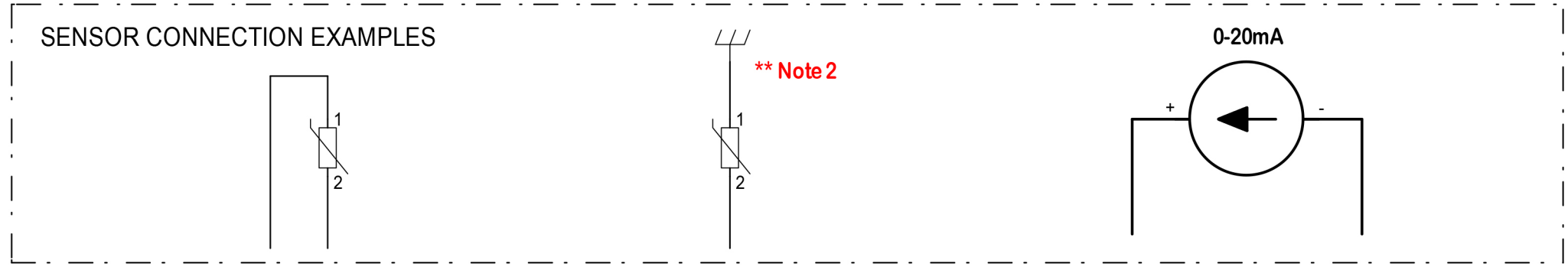
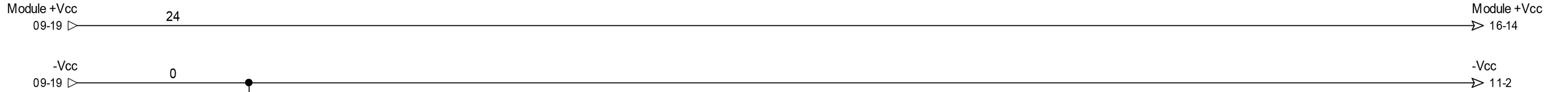


Created: 17/03/2022  
 Drawing n°: A56-MAST-00 / 10 - DWG - 001  
 Drawn: DB

REVISION	DATE	MODIFICATION	DRAWN
B	03/10/2019	CT WIRING UPDATE	DB
A	19/05/2019	FIRST RELEASE	DB

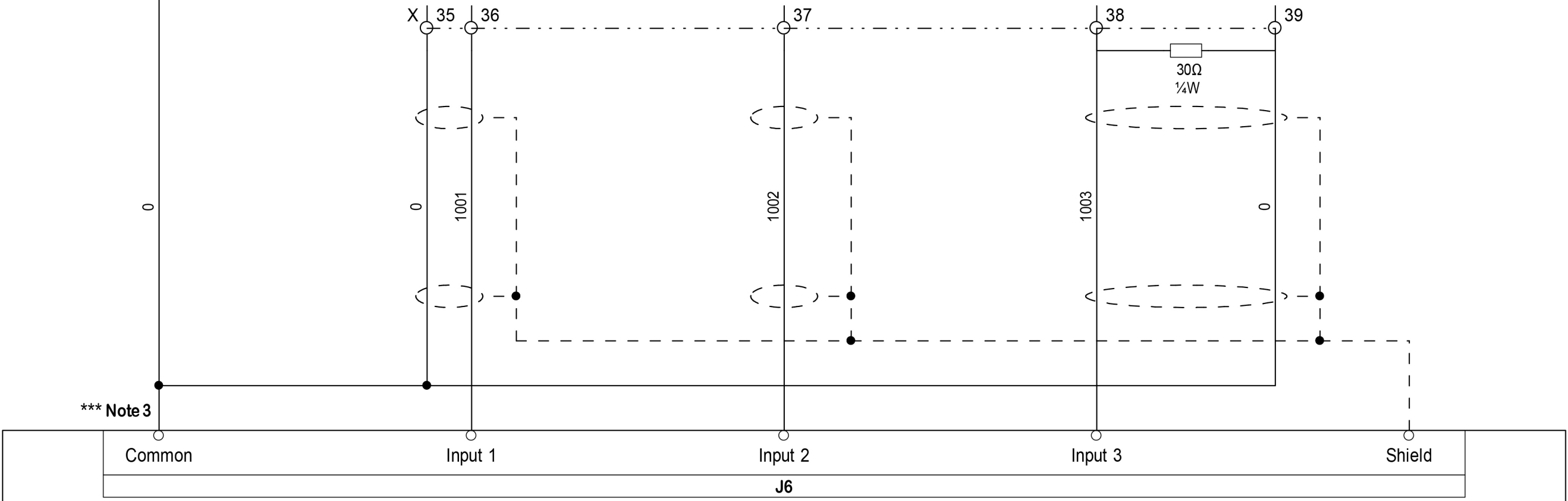
**MASTER COMPACT HMI / CORE  
STANDARD WIRING SCHEMATICS**

**Digital inputs**



**\*\* Note 2**

**\*\*\* Note 3**



**Configurable analog inputs**

**\* Note 1**

MASTER COMPACT

\* Note1: Analog inputs can be used with resistive sensors (max. range 0-500 Ohms), with external 20mA current transducers fitted with a 30-ohm 1/4 Watt resistor or as additional digital inputs  
**\*\* Note2: Ensure engine body and 0Vcc are connected in case of use of a single-wire sensor**  
 \*\*\* Note3: The common analog input terminal must have a direct connection to the -Batt terminal of the controller



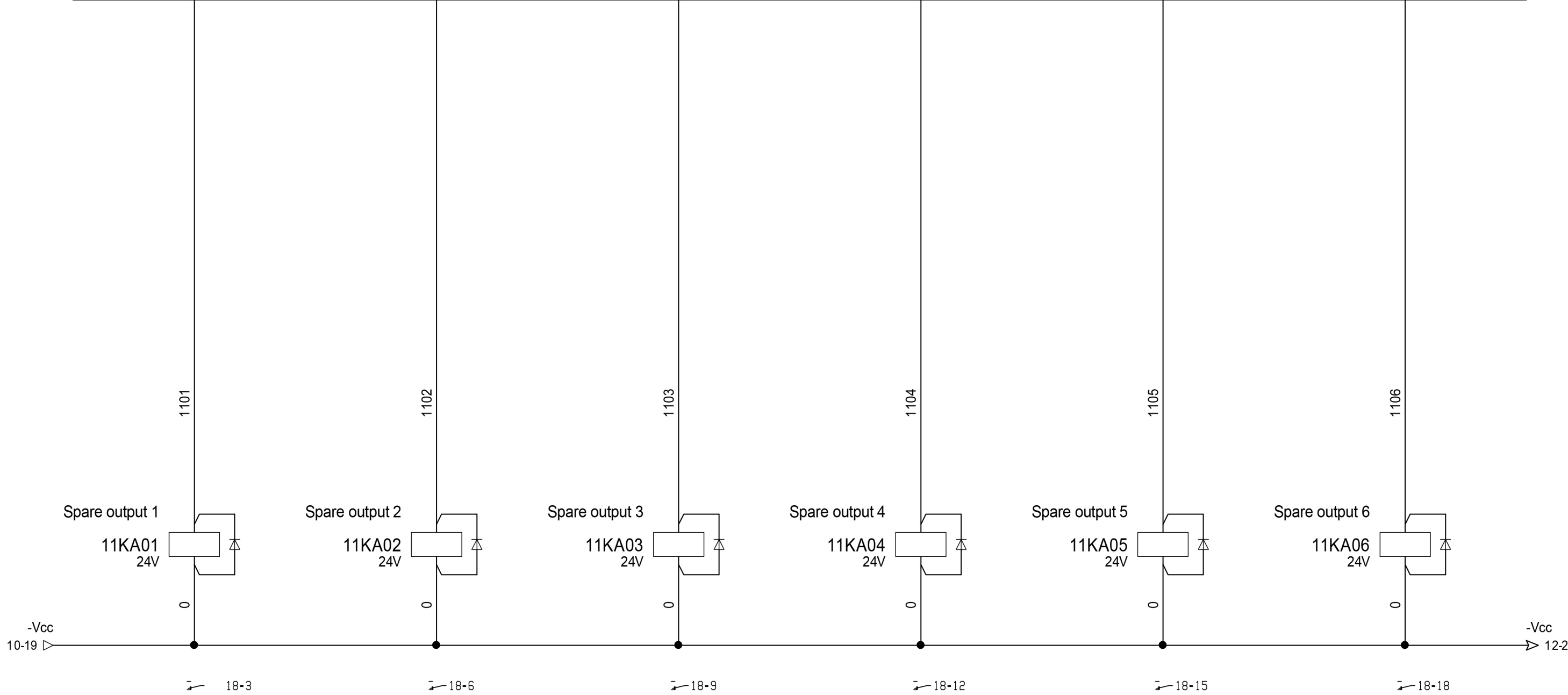
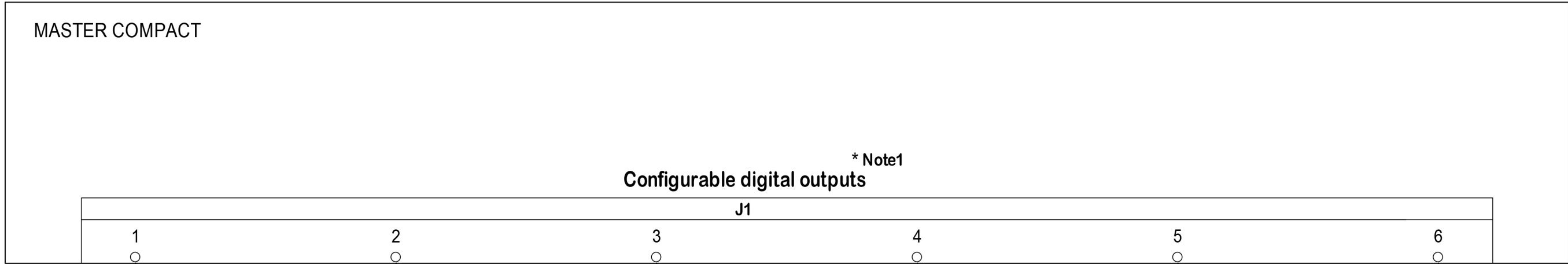
Created: 17/03/2022  
 Drawing n°: A56-MAST-00 / 10 - DWG - 001  
 Drawn: DB

REVISION	DATE	MODIFICATION	DRAWN
B	03/10/2019	CT WIRING UPDATE	DB
A	19/05/2019	FIRST RELEASE	DB

MASTER COMPACT HMI / CORE  
 STANDARD WIRING SCHEMATICS

**Analog inputs**





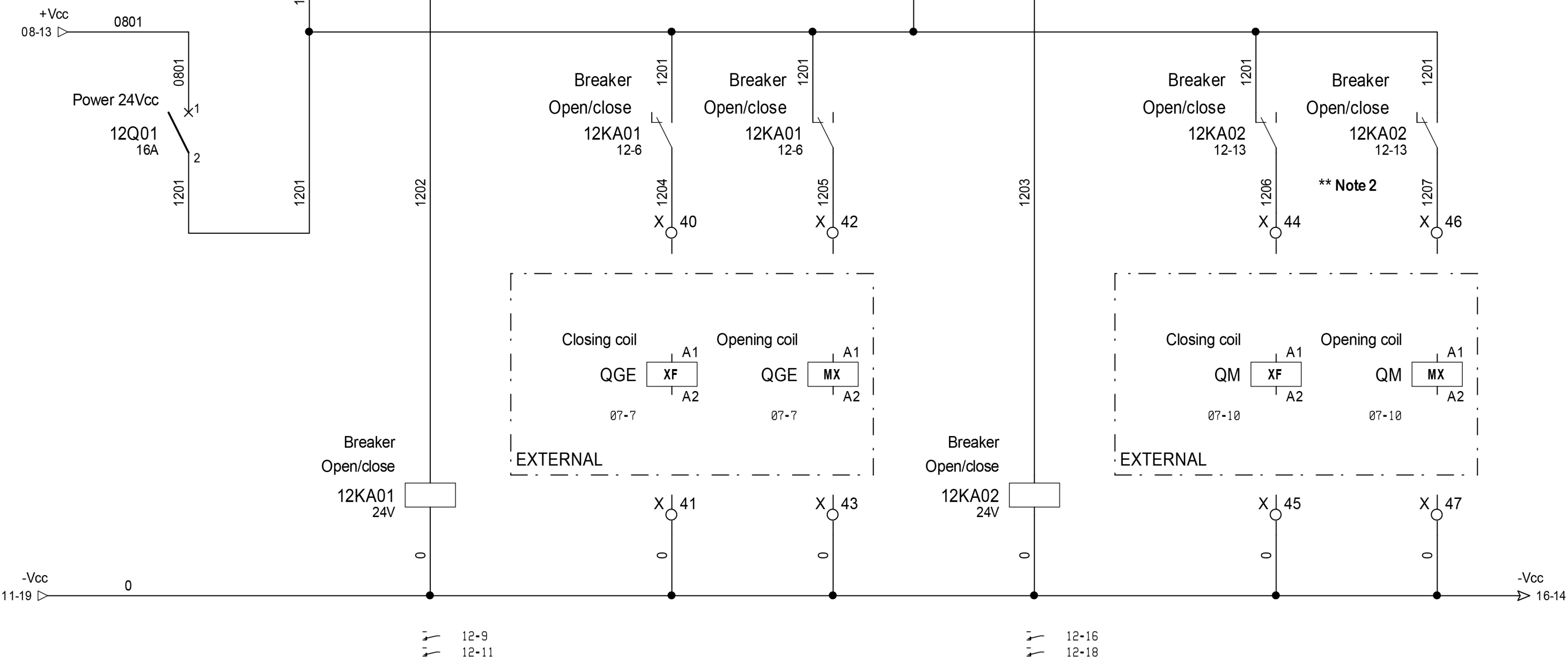
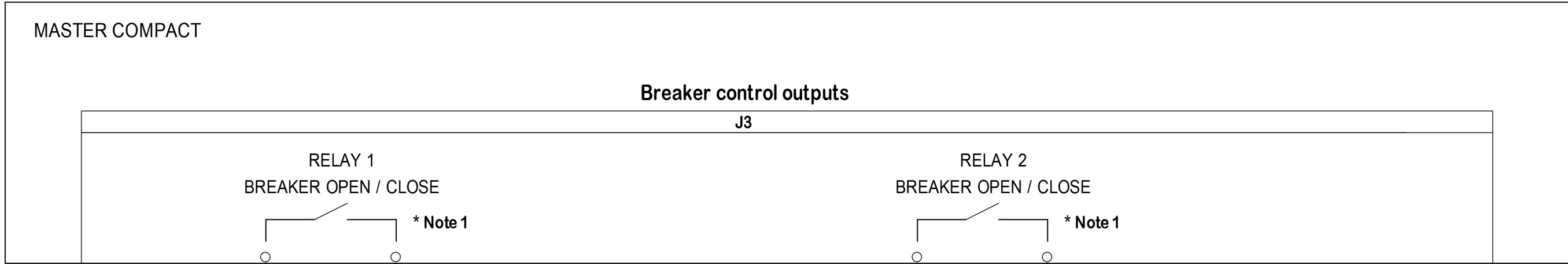
\* Note1: Maximum output current is 1.8 Amps



Created: 17/03/2022			
Drawing n°: A56-MAST-00 / 10 - DWG - 001			
Drawn: DB			
REVISION	DATE	MODIFICATION	DRAWN
B	03/10/2019	CT WIRING UPDATE	DB
A	19/05/2019	FIRST RELEASE	DB

MASTER COMPACT HMI / CORE  
STANDARD WIRING SCHEMATICS

Digital outputs



\* Note1: Default functions, adjustable via PC software

\*\* Note2: Inverted logic can be used to prevent mains breaker opening when powering off the module



Created: 17/03/2022

Drawing n°: A56-MAST-00 / 10 - DWG - 001

Drawn: DB

REVISION	DATE	MODIFICATION	DRAWN
B	03/10/2019	CT WIRING UPDATE	DB
A	19/05/2019	FIRST RELEASE	DB

MASTER COMPACT HMI / CORE  
STANDARD WIRING SCHEMATICS

Breaker control



**NOT USED**



Created: 17/03/2022  
 Drawing n°: A56-MAST-00 / 10 - DWG - 001  
 Drawn: DB

REVISION	DATE	MODIFICATION	DRAWN
B	03/10/2019	CT WIRING UPDATE	DB
A	19/05/2019	FIRST RELEASE	DB

**MASTER COMPACT HMI / CORE  
 STANDARD WIRING SCHEMATICS**

**Speed sensing**

**NOT USED**

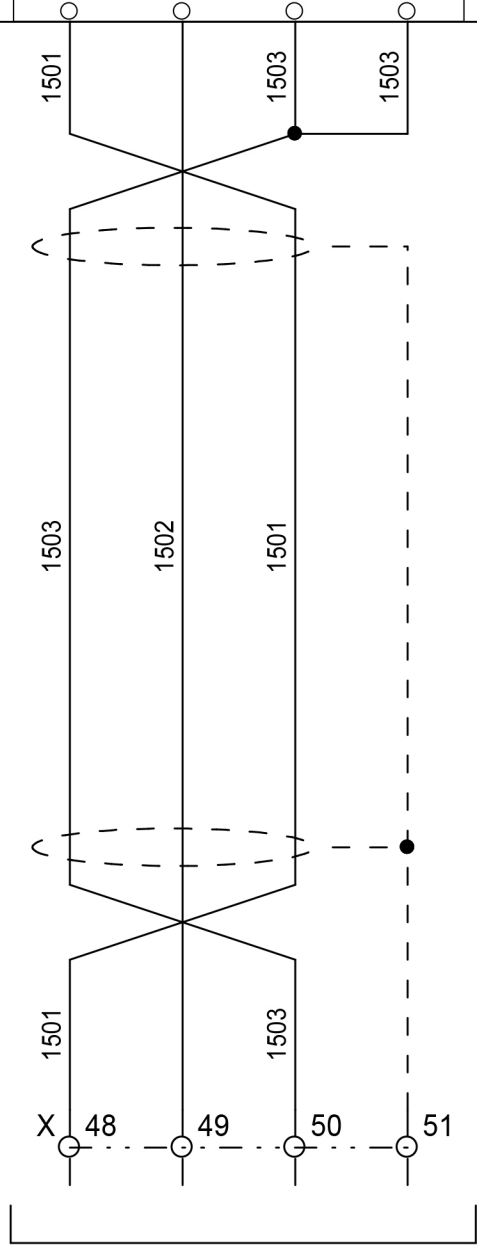
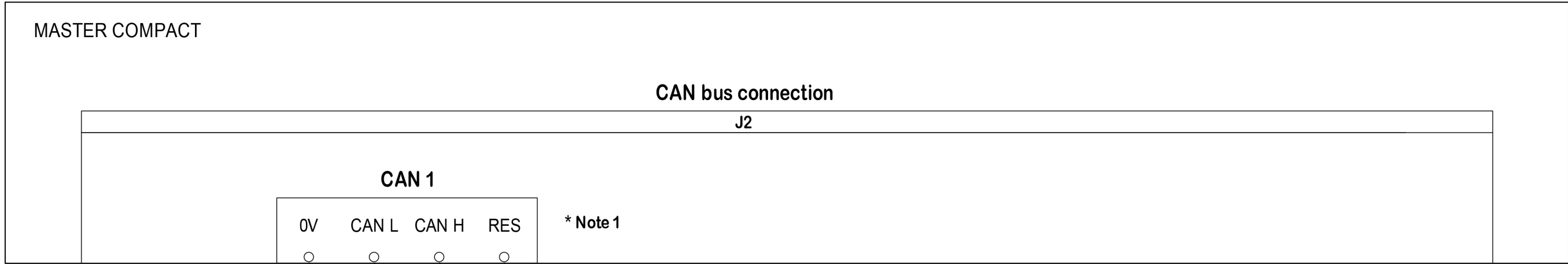


Created: 17/03/2022  
 Drawing n°: A56-MAST-00 / 10 - DWG - 001  
 Drawn: DB

REVISION	DATE	MODIFICATION	DRAWN
B	03/10/2019	CT WIRING UPDATE	DB
A	19/05/2019	FIRST RELEASE	DB

**MASTER COMPACT HMI / CORE  
 STANDARD WIRING SCHEMATICS**

**Speed & voltage control**



\*\* Note 2

\* Note1: Embedded 120-ohm resistance to be bridged to CAN H terminal on first and last bus module only

\*\* Note2: CAN 1 is dedicated to inter-module communication. CAN options are available on CAN2



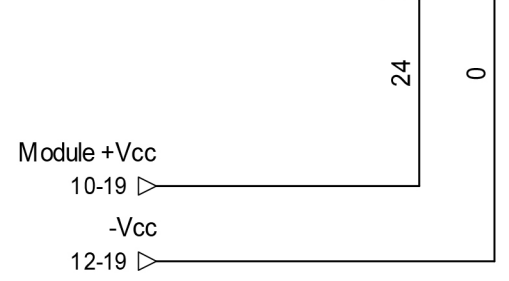
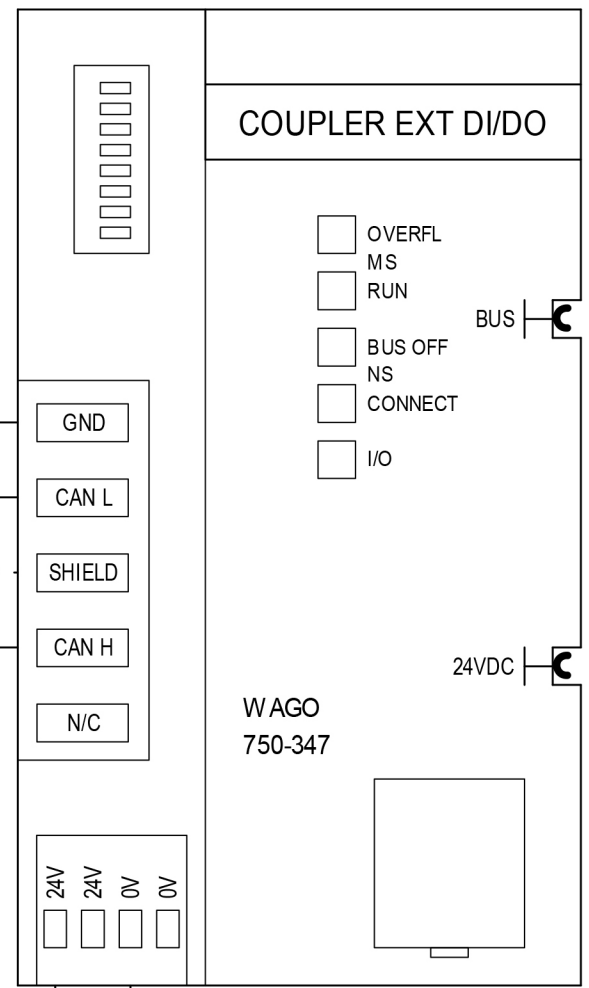
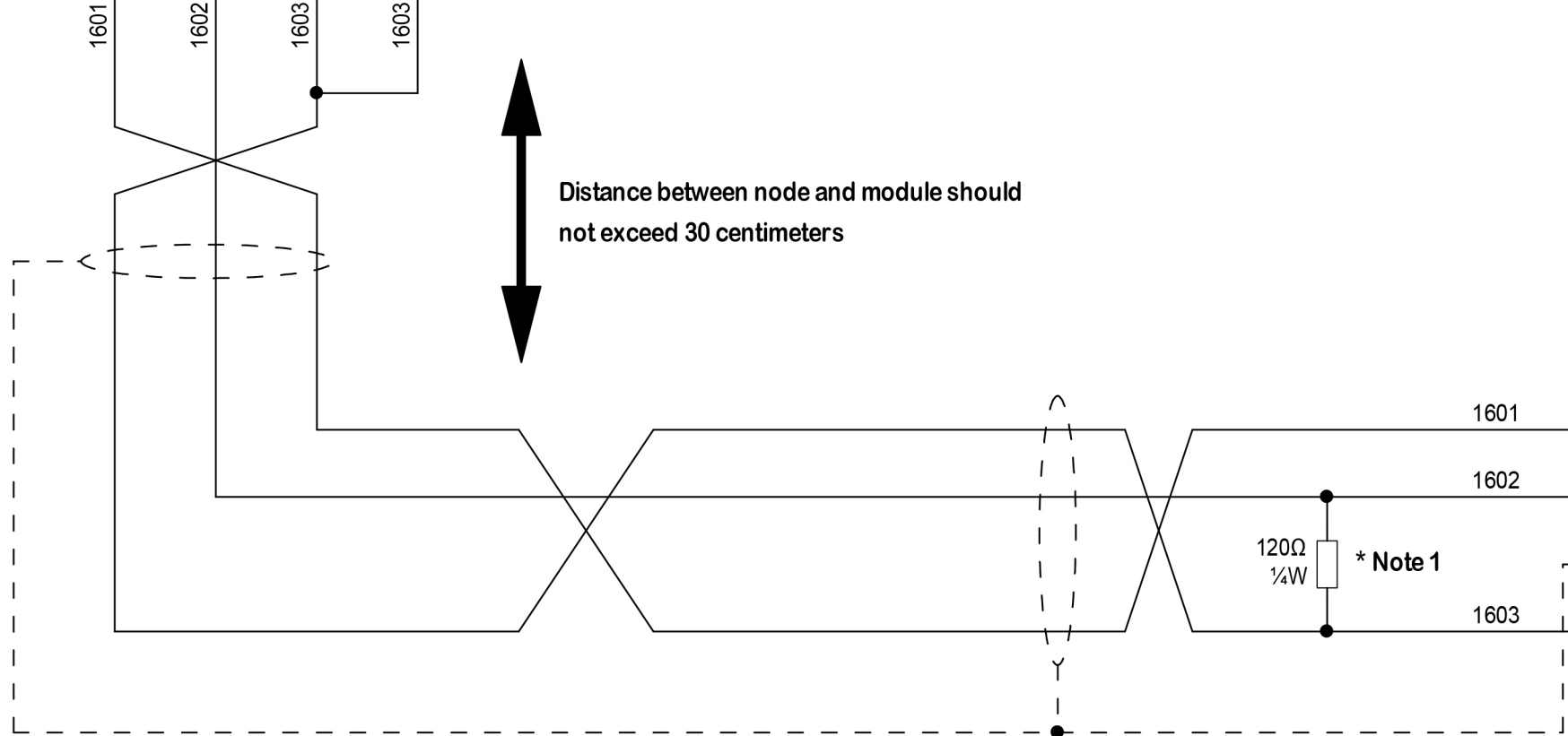
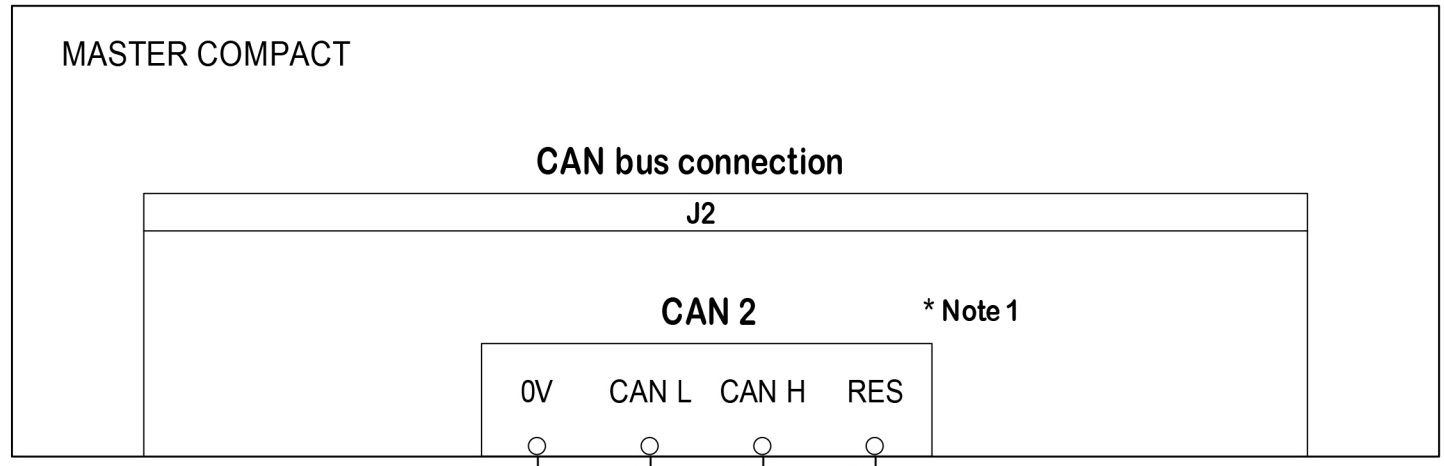
Created: 17/03/2022  
 Drawing n°: A56-MAST-00 / 10 - DWG - 001  
 Drawn: DB

REVISION	DATE	MODIFICATION	DRAWN
B	03/10/2019	CT WIRING UPDATE	DB
A	19/05/2019	FIRST RELEASE	DB

MASTER COMPACT HMI / CORE  
 STANDARD WIRING SCHEMATICS

CAN 1 connection





\* Note1: Bus end 120-ohm resistor to be placed between CAN L and CAN H terminal on last equipment only



Created: 17/03/2022	
Drawing n°: A56-MAST-00 / 10 - DWG - 001	
Drawn: DB	

REVISION	DATE	MODIFICATION	DRAWN
B	03/10/2019	CT WIRING UPDATE	DB
A	19/05/2019	FIRST RELEASE	DB

**MASTER COMPACT HMI / CORE  
STANDARD WIRING SCHEMATICS**

**CAN 2 connection**

**NOT USED**

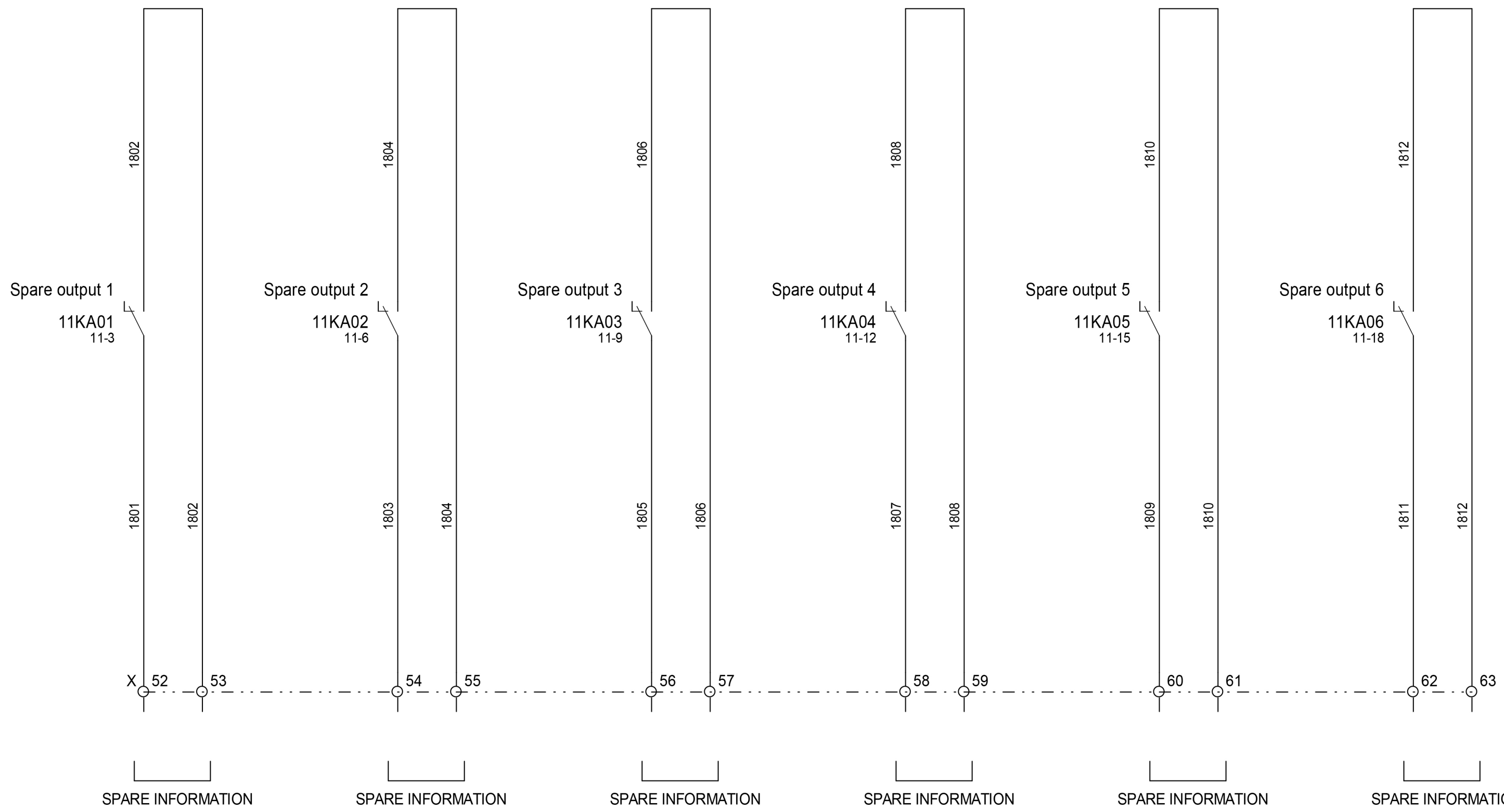


Created: 17/03/2022  
 Drawing n°: A56-MAST-00 / 10 - DWG - 001  
 Drawn: DB

REVISION	DATE	MODIFICATION	DRAWN
B	03/10/2019	CT WIRING UPDATE	DB
A	19/05/2019	FIRST RELEASE	DB

**MASTER COMPACT HMI / CORE  
 STANDARD WIRING SCHEMATICS**

**Engine control**



Created: 17/03/2022  
 Drawing n°: A56-MAST-00 / 10 - DWG - 001  
 Drawn: DB

REVISION	DATE	MODIFICATION	DRAWN
B	03/10/2019	CT WIRING UPDATE	DB
A	19/05/2019	FIRST RELEASE	DB

**MASTER COMPACT HMI / CORE  
 STANDARD WIRING SCHEMATICS**

**Digital output terminals**