



# MAGNETIC PICK-UP

Speed sensors: Convert engine speed to a frequency signal

The MAGNETIC PICK-UP (MPU) is the communication link between the engine and the electronic controller. The MPU is installed next to the drive shaft gear made of a material which reacts to a magnetic field.

As the flywheel rotates it interrupts the MPU's magnetic field and produces an AC signal corresponding to the engine speed.

This range offers advantages as:

- Detects steel sensing gears
- Produces electrical frequency
- Easy installation on engine
- Different sizes & connectors



## FEATURES

### EASY-TO-USE PRODUCT

- Screw magnetic pickup into flywheel housing until contact is made with top surface of gear tooth on flywheel. Back magnetic pick-up out one complete revolution and tighten nut.
- Connect electrical leads.
- The MPU must show a minimum of 2.5V with controller connected for an efficient speed reading.

### FULLY COMPATIBLE WITH ALL ENGINES

Whether in inches or in metrics, CRE TECHNOLOGY provides a range of MPUs: they are available in different lengths, thread and connector types.

### AFTER SALES SERVICE

Like every CRE TECHNOLOGY products, the unit also benefits from our technical support. All CRE TECHNOLOGY products are delivered with one year warranty.

### DIFFERENT REFERENCE AVAILABLE

Our range of magnetic pick-ups allow you to choose the best product to fit your application and offer you the best speed sensors in order

to make sure speed reading and overspeed protection are effective.

### MAGNETIC PICK UPS WITH METRIC THREADS (THREAD: M16 X 1.5)

- COM 16-70S: Length 70mm, threads M16 x 1,5, connecting 2x "1/4 spade Faston,
- COM 16-54C: Length 54mm, threads M16 x 1,5, connecting 2 pins connector,
- COM 16-92C: Length 92mm, threads M16 x 1,5, connecting 2 pins connector.

### MAGNETIC PICK UPS WITH SAE THREADS (THREAD: 5/8-18 UNF)

- CO 5/8-70S: Length 70mm, threads 5/8" - 18 UNF, connecting 2x "1/4 spade Faston,
- CO 5/8-54C: Length 54mm, threads 5/8" - 18 UNF, connecting 2 pins connector,
- COM 5/8-92C: Length 92mm, threads 5/8" - 18 UNF connecting 2 pins connector,
- CO 3/8-60W: Length 60mm, threads 3/8" - 24 UNF, connecting 2m shielded cable,
- CO 3/4-70W: Length 60mm, threads 3/4" - 16 UNF, 2 wires.

### CONNECTORS AND CABLES

This range of products is also composed with connectors and cables.

All the references are compatible with the following magnetic pick ups:

- COM 16-54C
- COM 16-92C
- COM 5/8-54C
- COM 5/8-92C

LENGTH: 5 meters

CRE TECHNOLOGY has provided its range of Magnetic Pick Up speed sensors for years, the sensor is use for speed information display, idle speed control and engine speed protection.

Part number: COM 16-70S, COM 16-54C, COM 16-92C.  
 Part number: COM 5/8-70S, COM 5/8-54C, COM 5/8-92C.  
 Part number: COM 3/8-60W, COM 3/4-70W.

### RELATED PRODUCT & CABLES

GENSYS COMPACT PRIME  
 GENSYS COMPACT MAINS  
 BATTERY CHARGERS BP+ RANGE  
 BATTERY CHARGERS BPRB RANGE



# MAGNETIC PICK-UP

## Speed sensors: Convert engine speed to a frequency signal

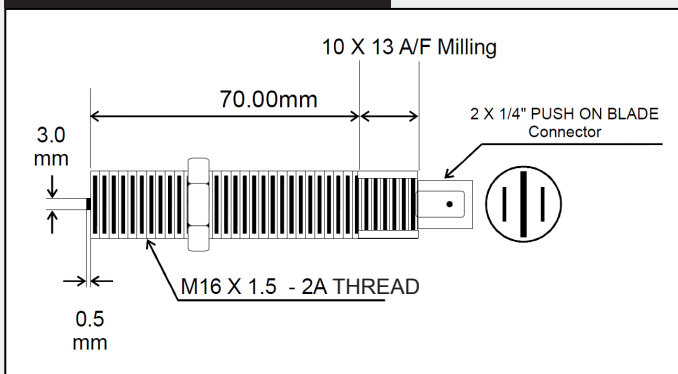
Part number: A65Z1

### APPLICATION

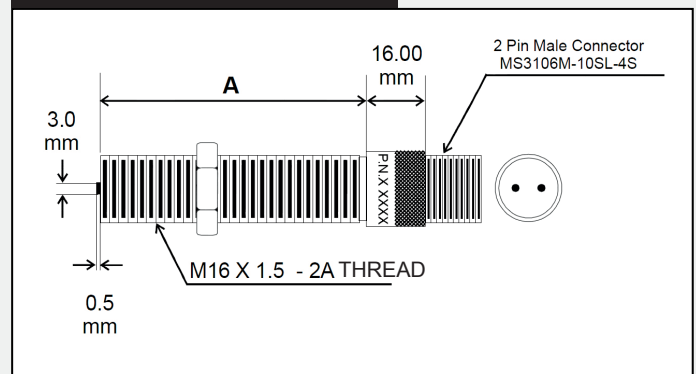
- Off highway vehicles applications are various and often equipped with systems identical or similar than Gensets, like speed governors, solenoids, CAN controllers, overspeed protections...),
- Sprinkler pump application,
- Compact excavator,

### WIRINGS

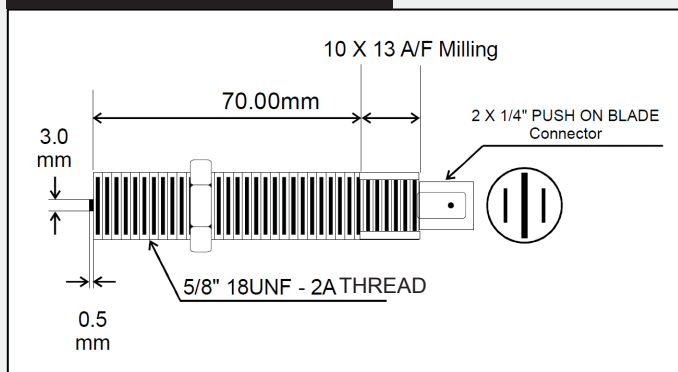
#### COM 16 - 70S



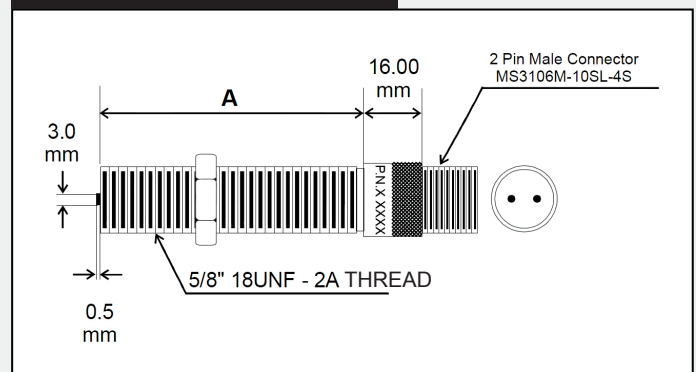
#### COM 16 - 54C/92C



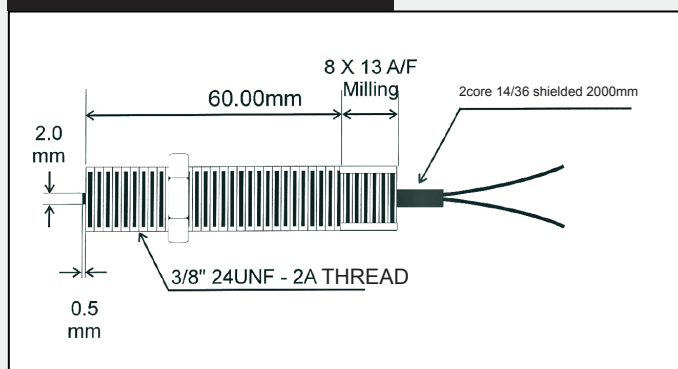
#### CO 5/8 - 70S



#### CO 5/8 - 54C/92C



#### CO 3/8 - 60W



#### CO 3/4 - 70W

